

## CDP-01 to D-MAXE 1 Upgrade Kit Cable Connection Reference



Before disconnecting or connecting any cables, ensure that power is off to the CDP-01 and the D-MAXE components.

Complete safety instructions can be found in the D-MAXE Operating Instructions.

### D-MAXE 1 Upgrade kit part numbers

Standard software	290002901
Custom software	290002904



This document is intended to be used as a quick reference guide for connecting your existing peripherals to the D-MAXE drop-in module.

The kit is designed to be installed using the same mounting holes and hardware as your CDP-01.

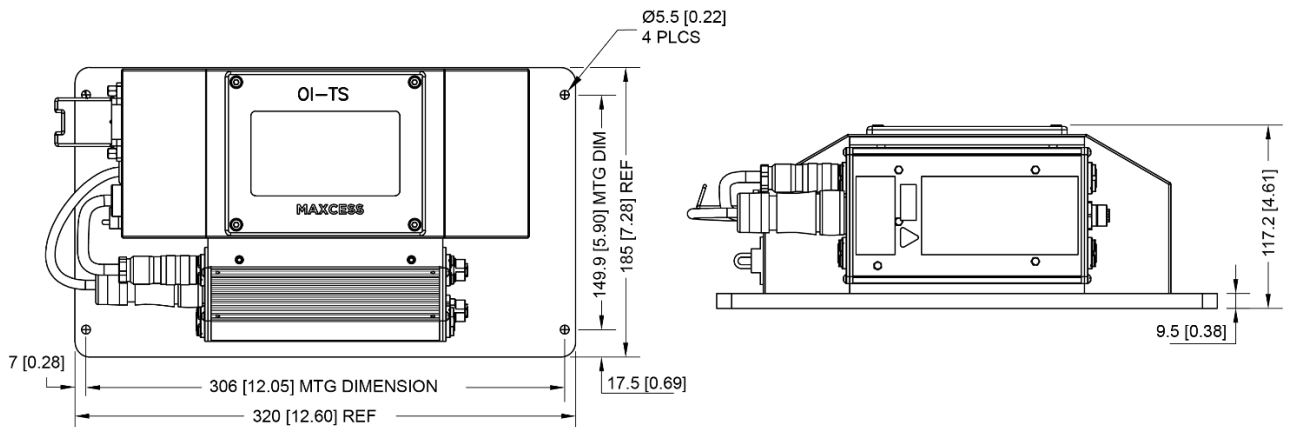
Use Fife power cable (1). Ensure that the cable retainer clip is properly engaged.

See the D-MAX OI-TS Quick Start Guide (2) for an introduction to the user interface.

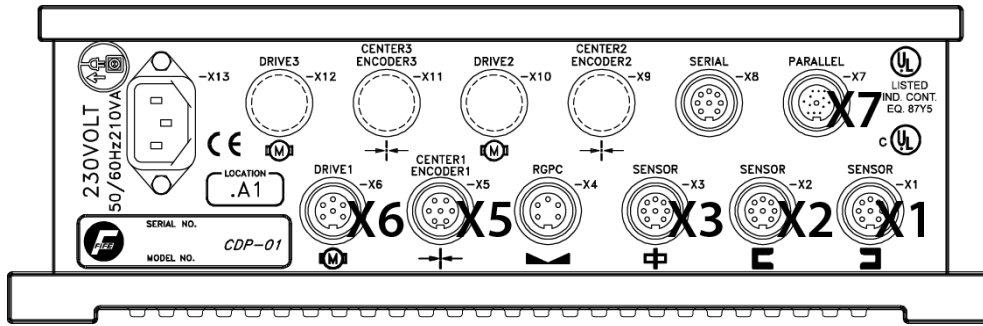
(1) Fife Part No.  
78234-000 [length as specified]  
78234-001 [16 feet]

(2) Fife Part No. MI 1 5013

### Dimensions (D-MAXE 1 kit)



## Connections: CDP-01 to D-MAXE

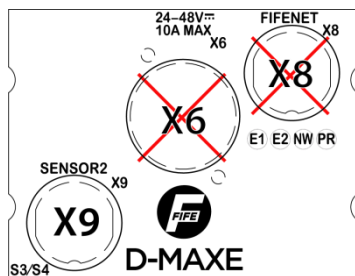


### Connections

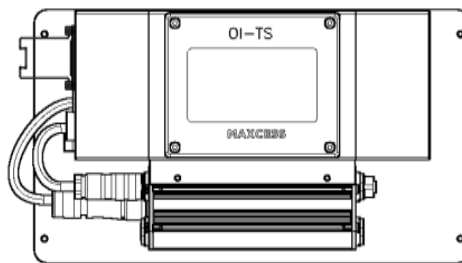
#### CDP-01 → D-MAXE 1

		Description
X1	X5	Sensor (Edge)
X2	X9	Sensor (Edge)
X3	X5 or X9	Sensor (Line Guide)
X4	N/A	RGPC
X5	X3	Servo Center 1 / Encoder 1
X6	X4	Drive 1
X7	X1	Parallel I/O
X8	N/A	Serial Communications
X9	N/A	Servo Center 2 / Encoder 2
X10	N/A	Drive 2
X11	N/A	Servo Center 3 / Encoder 3
X12	N/A	Drive 3
N/A	X6	Connected from D-MAXE from internal power supply
N/A	X8	Connected from D-MAXE operator interface (OI-TS)

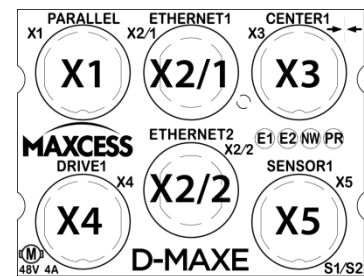
## Connections: D-MAXE 1 (single drive)



Power end view



D-MAXE module front view



Ethernet end view



#### AMERICAS

Tel +1.405.755.1600  
 Fax +1.405.755.8425  
 sales@maxcessintl.com  
 www.maxcessintl.com

#### EUROPE, MIDDLE EAST AND AFRICA

Tel +49.6195.7002.0  
 Fax +49.6195.7002.933  
 sales@maxcess.eu  
 www.maxcess.eu

#### CHINA

Tel +86.756.881.9398  
 Fax +86.756.881.9393  
 info@maxcessintl.com.cn  
 www.maxcessintl.com.cn

#### INDIA

Tel +91.22.27602633  
 Fax +91.22.27602634  
 india@maxcessintl.com  
 www.maxcess.in

#### JAPAN

Tel +81.43.421.1622  
 Fax +81.43.421.2895  
 japan@maxcessintl.com  
 www.maxcess.jp

#### KOREA, TAIWAN, AND SE ASIA

asia@maxcessintl.com  
 www.maxcess.asia